

## SEESWX Series

### Swing Edge Lit Exit Signs

#### SPECIFICATIONS

<b>Construction</b>	Extruded aluminum housing with high-grade, acrylic panel
<b>Installation</b>	Pivoting design for installation on wall, ceiling, sloped ceiling or recessed mounting.
<b>Illumination</b>	All models are illuminated with high intensity red or green LEDs and meet UL requirements for uniformity.
<b>Electronics</b>	Universal 120/277 volts 60hz input. AC lock out and low voltage disconnect.
<b>Power Consumption</b>	All models - Less than 5 watts
<b>Battery</b>	Sealed NiCad battery - Provides a minimum of 90 minutes of emergency operation
<b>Code Compliance</b>	UL listed for damp locations. Meets or exceeds the requirements of the NEC, CEC and NFPA101
<b>Warranty</b>	Three year warranty from date of shipment on entire unit. 5 year pro rata warranty on the batteries. See Warranty Statement for details.



#### STANDARD FEATURES

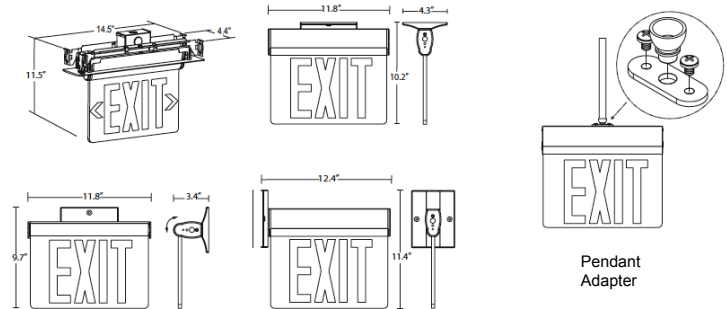
##### All Models:

- Universal 120/277 volt 60 Hz field selectable input Suitable for installation in existing drywall applications
- The SEESWXU/SEESWXUM models include both single and double-face panels
- Includes surface mounting canopy as well as bracket for recessed mounting applications
- Field-selectable directional chevrons
- UL Listed for Damp Locations
- California Energy Commission (CEC) compliant

##### Emergency Models:

- Premium nickel cadmium maintenance free battery
- 90 minutes of emergency illumination
- Fully automatic solid state charger
- 24 Hour Recharge time
- Solid state relay supervision and transfer
- Low battery voltage disconnect
- AC lockout circuit reduces installation time
- AC ready LED indicator
- Momentary test switch.
- UL listed for damp locations - 0°C to 40°C

#### DIMENSIONS:



#### Accessories (order separately)

- ER1 - 12 inch pendant Mount
- ER2 - 24 inch Pendant Mount
- PA - Pendant Adapter

#### ORDERING GUIDE

