

PPT421

LED Round Post Top Light 3-Wattages + 3-CCT

APPLICATIONS: Premium outdoor luminaire suitable for entrances, building exteriors, parks, and pedestrian walkways.

CONSTRUCTION: Manufactured for weather-proof durability using solid heavy duty die cast aluminum housing with anti-UV polyester coating to resist water, salt, corrosion, discoloration, and scratching. Wet Location rated.

ELECTRICAL: Input voltages 120-277V models with 0-10V Continuous Dimming. Tunable 3-CCT (3000K, 4000K, 5000K), Single Wattage, and Tunable 3-Wattage models. 3-Wattages (60W Max, 100W Max, 150W Max). Lumen Output 4200 to 21000 lumens. Efficacy 140 lm/W. CRI >70. Total Harmonic Distortion (THD): <15%. Operating temperatures -40°F to 113°F (-40°C to 45°C).

MOUNTING: Includes 3-inch Slip-Fit Pole Mounting base.

OPTICS: Anti-UV Clear Polycarbonate IES/ NEMA Type 5 Lens.

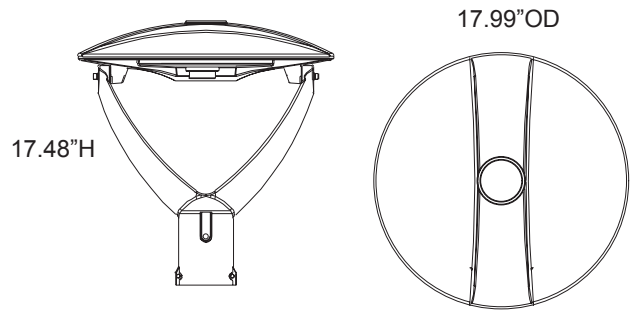
LISTINGS: DLC Premium listed. UL certified to meet US and Canadian standards. FCC and RoHS compliant. Listed for Wet Locations.

WARRANTY:

- 5 year limited warranty.
- L70: 50000 hours



Dimensions



ORDERING INFORMATION

Model	Wattage	Voltage	Current	Lumens	Efficacy	CCT	Dimming	Color	Dimensions
PPT421-W60	(30W, 50W, 60W)	120-277V	0.28A@120V, 0.12A@277V 0.46A@120V, 0.20A@277V 0.55A@120V, 0.24A@277V	4200 7000 8400	140 lm/W	(3000K, 4000K, 5000K)	0-10V	Bronze	ø 17.99"C x 17.48"H
PPT421-W100	(60W, 80W, 100W)	120-277V	0.55A@120V, 0.24A@277V 0.73A@120V, 0.32A@277V 0.92A@120V, 0.40A@277V	8400 11200 14000	140 lm/W	(3000K, 4000K, 5000K)	0-10V	Bronze	ø 17.99"C x 17.48"H
PPT421-W150	(100W, 135W, 150W)	120-277V	0.92A@120V, 0.40A@277V 1.24A@120V, 0.54A@277V 1.38A@120V, 0.60A@277V	14000 18900 21000	140 lm/W	(3000K, 4000K, 5000K)	0-10V	Bronze	ø 17.99"C x 17.48"H